



Taylor Valve
Technology

7700 SERIES

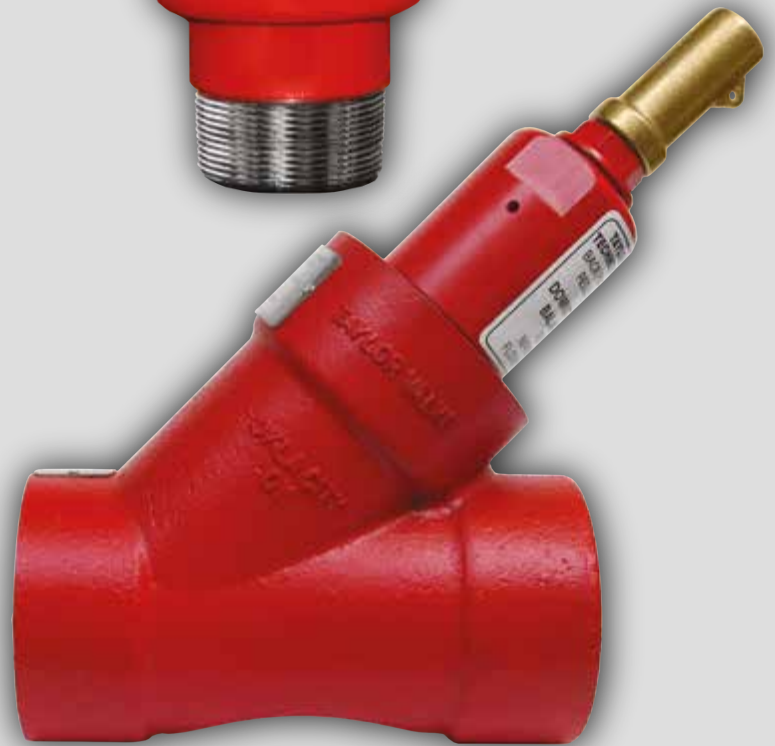
BACK PRESSURE REGULATOR



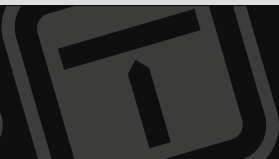
Precise.

Quality.

Reliable.



SINCE 1958



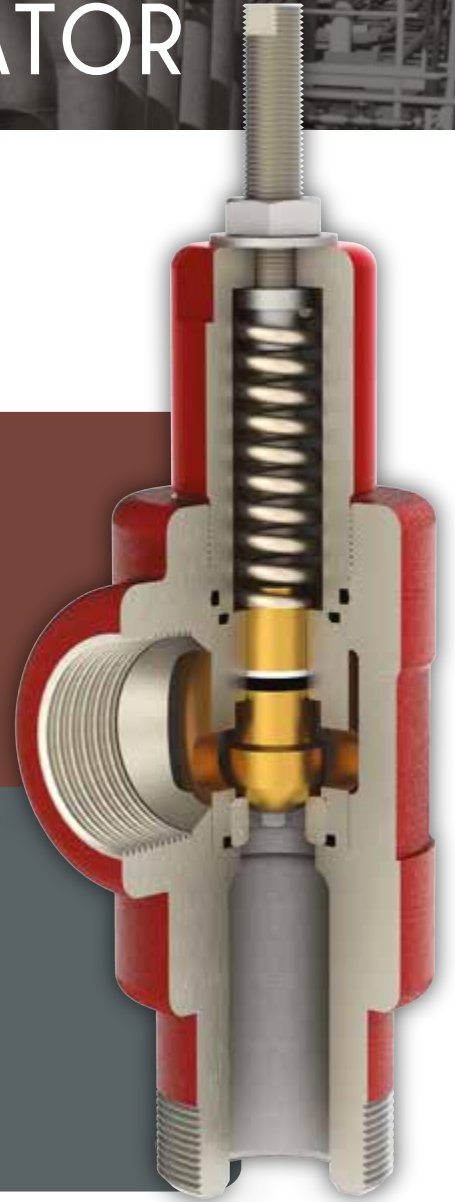
7700 SERIES BACK PRESSURE REGULATOR

FEATURES & Benefits

The 7700 Back Pressure Regulator (BPR) Series is an excellent and economical device for relief and control of pressure in liquid and gas service. Valve control is accomplished by upstream pressure acting on a lapped piston, which is acted on by a spring. The valve will open at a determined set pressure, which is field adjustable.

Applications: Typical applications include: Paraffin, Heading Up, and By-Pass to Casing.

- Straight threads on the spring housing allow for easy access to the internals for repair or maintenance.
- The balanced valve design means the valve is unaffected by downstream pressure and regulates only according to the upstream pressure. This allows the valve to be placed in a wide variety of conditions.
- Resilient stainless internals are standard, increasing the service life and performance of the valve.



7700 Series Back Pressure Regulator

| Model | Size: | A Dimension: In. | B Dimension: In. | C Dimension: Height In. | Weight: Lb. |
|---------------|--------|------------------|------------------|-------------------------|-------------|
| 7711 | 1 Inch | 3.90±0.10 | 1.60±0.10 | 11.28±0.25 | 6 |
| 7722 | 2 Inch | 5.00±0.10 | 2.50±0.10 | 12.28±0.25 | 15 |
| 7722 (Inline) | 2 Inch | — | 7.00±0.10 | 9.00±0.25 | 17 |

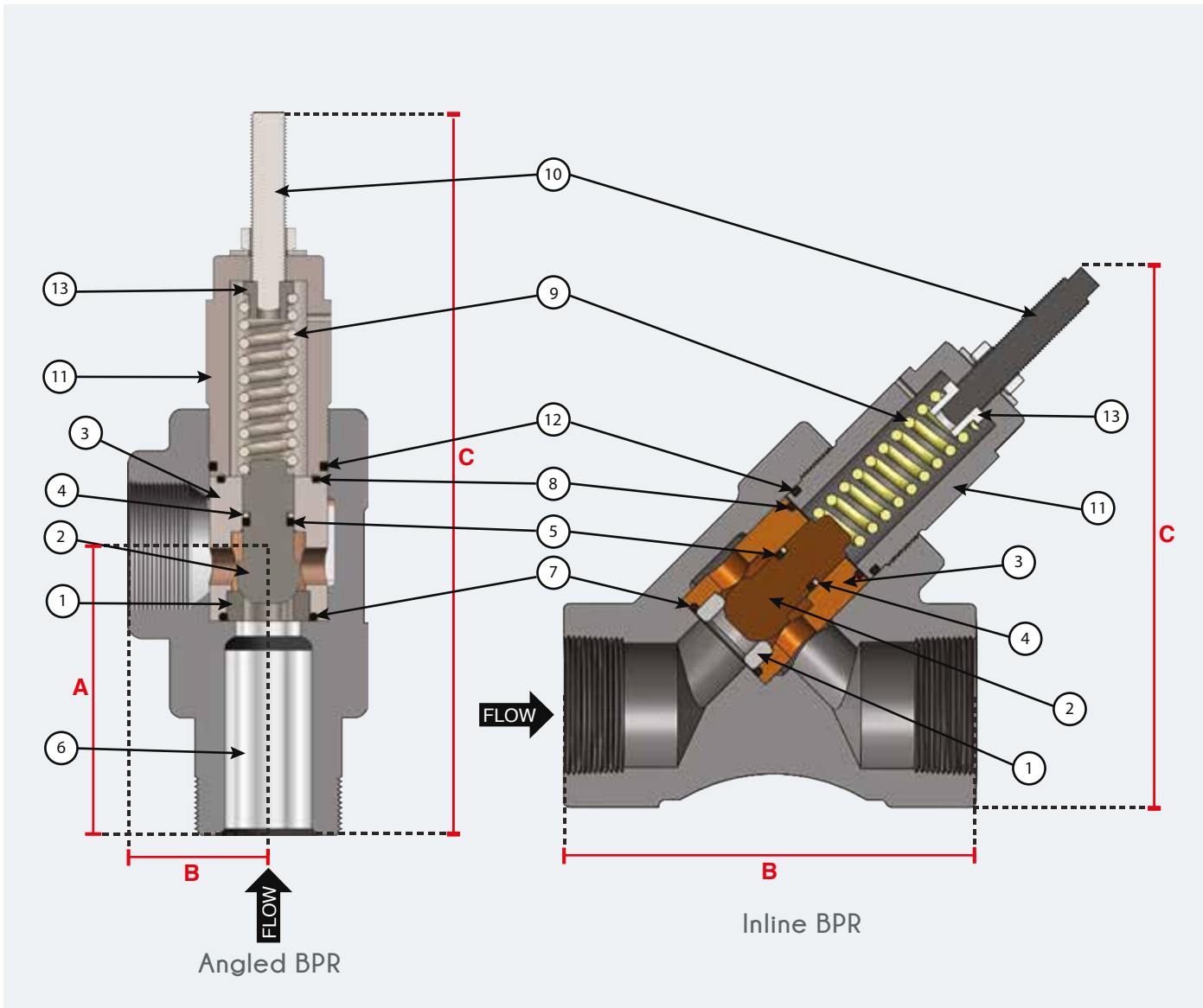
Materials For Construction

| Seats | Spring Housing | Springs | Seals* | Body |
|-------|----------------|----------------------|---------------|--------------------|
| 440-C | CS or SS | 17-7 SS/302 SS(NACE) | VITON/PC BUNA | LCC/CS/SS/A350 LF2 |

*See back page for full nomenclature specs.

7700 Series Back Pressure Regulator (Standard BOM)

| Item No. | Description | Material |
|----------|---------------------|------------------------|
| 1 | Seat | 440C |
| 2 | Piston | 17-4 SS Cond. A / H900 |
| 3 | Cage | 17-4 SS Cond. H900 |
| 4 | Back-up Ring | Teflon |
| 5 | Piston O-Ring | Viton / Buna |
| 6 | Body | SA 352 LCC / SS 316 |
| 7 | Seat Seal | Viton / Buna |
| 8 | Cage Seal | Viton / Buna |
| 9 | Spring | 17-7 SS / 302 SS |
| 10 | Adj. Screw Assembly | CS 1018 / SS 316 |
| 11 | Spring House | SA350 LF2 / SS 316 |
| 12 | Spring House Seal | Viton / Buna |
| 13 | Spring Keeper | CS 1018 / 302 SS |



The information contained in this drawing is the sole property of Taylor Valve Technology Inc. and any reproduction in part or whole without the written permission of Taylor Valve Technology Inc. is prohibited.

NOTE: Taylor Valve reserves the right to change product designs and specifications without notice.



Taylor Valve Technology
 8300 S.W. 8th Street
 Oklahoma City, Oklahoma 73128

TEL 405.787.0145

FAX 800.805.3401

WEB www.taylorvalve.com

EMAIL info@taylorvalve.com

Part Number Matrix

77

X X - -

B

C

D

E

F

X & A - SERIES

- 1 1" (0.68" - orifice diameter)
- 2 2" (0.816" - orifice diameter)

B - TYPE

- 1 Balanced TEE BODY (1" & 2")
- 3 Balanced INLINE BODY (2")

C - TRIM

- 0 17-4 H900 w/ BUNA (NBR/Low Temp)
- 1 17-4 H900 w/ VITON
- 2 17-4 H900 w/ PC BUNA
- 3 17-4 H900 w/ EPDM
- 4 17-4 H1150 w/ BUNA (NBR/Low Temp)(NACE Compliant)
- 5 17-4 H1150 w/ VITON (NACE Compliant)
- 6 17-4 H1150 w/ PC BUNA (NACE Compliant)
- 7 17-4 H1150 w/ EPDM (NACE Compliant)
- 8 17-4 H900 w/ HSN
- 9 17-4 H1150 w/ HSN (NACE Compliant)

D - SPRING RANGE

| | | | |
|---|---------|----------------|----------------|
| 1 | 30-100 | (1" 05-011314) | (2" 05-011314) |
| 2 | 30-200 | (1" 05-011314) | (2" 05-011414) |
| 4 | 30-500 | (1" 05-011414) | (2" 05-011514) |
| 5 | 30-1000 | (1" 05-011514) | (2" 05-010114) |
| 6 | 30-1500 | (1" 05-010114) | (2" 05-010213) |

E - BODY MATERIAL

- 3 LCC- NEW STYLE (cast for 2" MNPT x FNPT)/CS (G1018 for 1" MNPT x FNPT)
- 4 CS / NACE
- 5 CF8M SS
- 6 SS / NACE

F - INLET & OUTLET

- 1 ½" x 1"
- 2 1" x 1¼"
- 3 2" SCH 80 BW
- 4 1" SKT
- 5 1"
- 6 ¾" x 1"
- 7 2"
- 8 2" SCH 160 BW

NOTE: Please specify below while placing order

1. Std Temperature Std Service
2. Std Temperature Sour Service NACE
3. Low Temperature Std Service
4. Low Temperature Sour Service NACE

*For flanged connections on BPRs,
 contact Taylor Valve.

Precise.

Quality.

Reliable.

